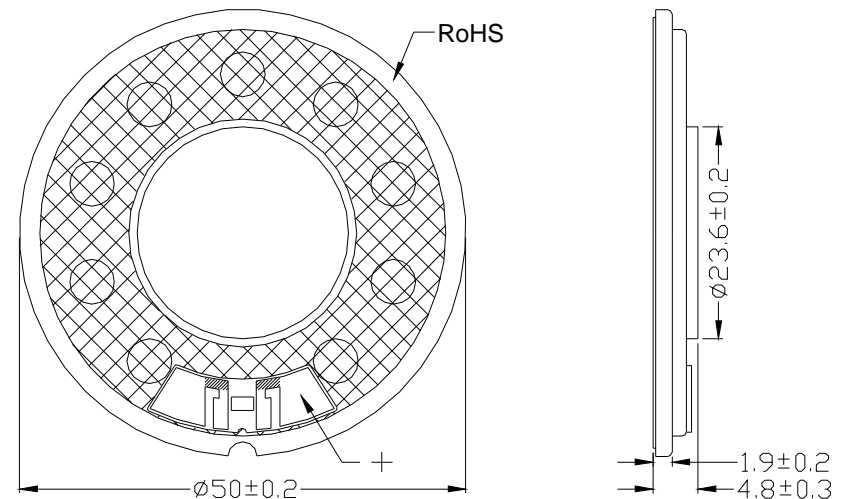
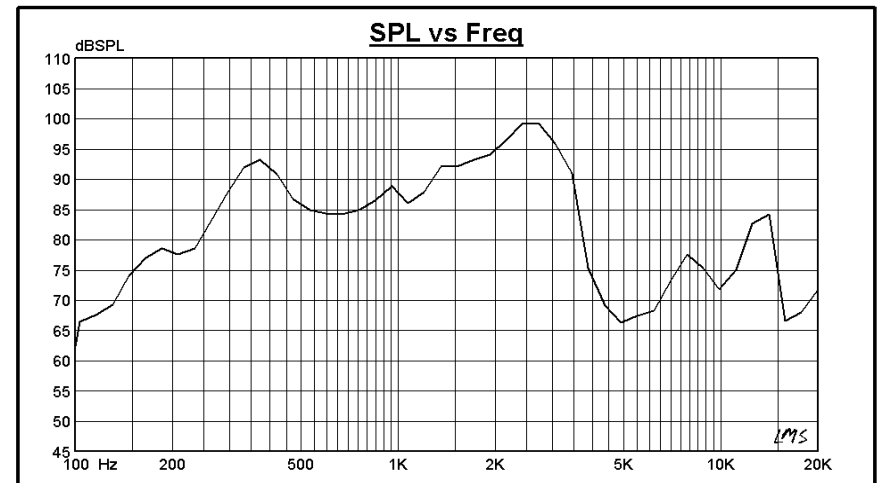


Mylar Speaker Specification

Our Part No		50M05N-50BE8-5G28+	
Size	Diameter 50mm	Total Height	4.8mm
No.	Item	Specification	Testing Condition
1.	Rated Imp	8ohm \pm 15%	At 1 kHz 1.0V
2.	Resonance Freq	360Hz \pm 20%	Without Baffle
3.	Output S.P.L.	85 \pm 3dB	At 1m 1W 600,800,1K, 1.2KHz Average
4.	Input Power	Rated Power: 0.5W	Max Power: 0.8W
5.	Frequency Range	F0---4KHz	Output S.P.L. -10dB
6.	Operation	Must Be Normal	Program Source: 0.5W
7.	Buzzes & Rattles	Must Be Normal	Sin Wave 2.0V
8.	Load Test	After Test Meet 2&7	0.5W 96hours White Noise
9.	Distortion	5% Max	0.5W 1000Hz
10.	Heat Test	After Test 7&8&9	55°C \pm 2°C 16hours
11.	Cold Test	After Test 7&8&9	-20°C \pm 3°C 16hours
12.	Humidity	After Test 7&8&9	40°C \pm 2°C 90~95% R.H. 48hours
13.	Insulation Resistance	1M Ω	Dc100v FRA. And TER.
14.	Magnet	\varnothing 19.5 \times 1.5	N35
15.	Net Weight	19.1g/PC	
16.	Polarity	When a positive D.C voltage is applied to the terminal marked (+) or red, the diaphragm should move to the front.	



POWER SOUND ELECTRONICS LTD. - Acoustic Components Manufacturer

Tel: +86-755-8423 5076,8423 5093,8423 5316 Fax: +86-755-8423 5085 E-mail: psound@szonline.net

<http://www.chnpowersound.com>