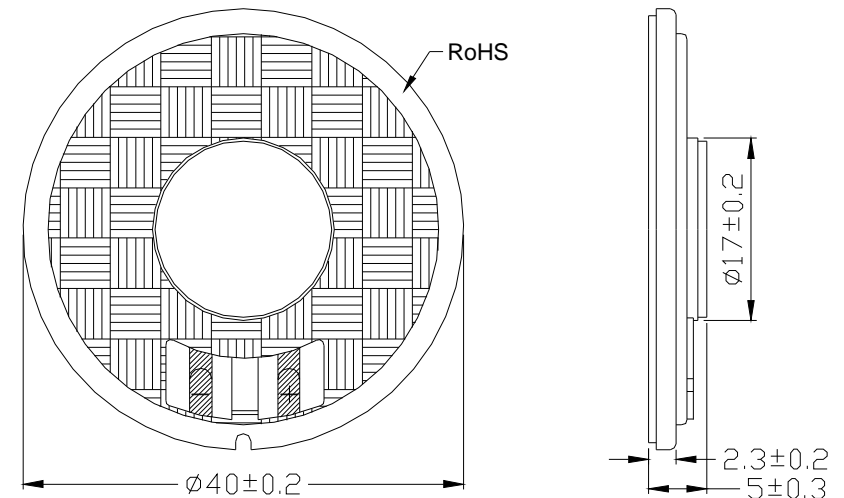
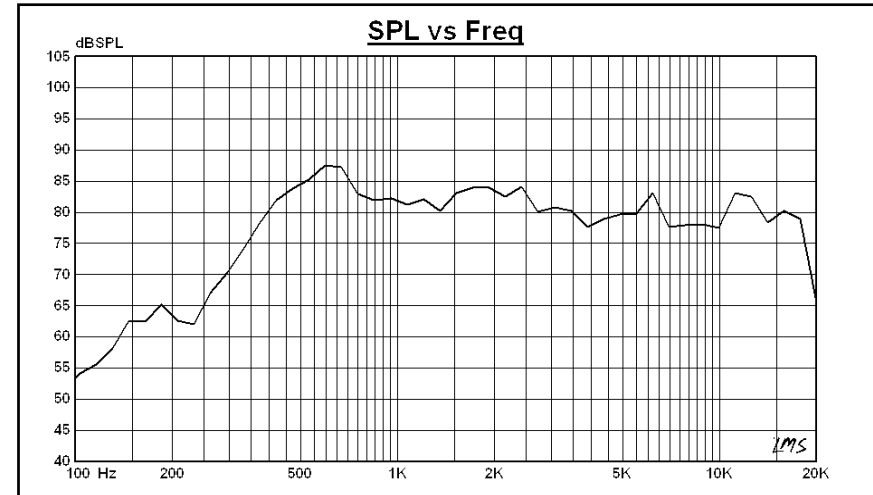


## Mylar Speaker Specification

Our Part No		40M10C-75BF16-6H11+	
Size	Diameter 40mm	Total Height	5.0 mm
No.	Item	Specification	Testing Condition
1.	Rated Imp	16ohm $\pm$ 15%	At 1 kHz 1.0V
2.	Resonance Freq	480Hz $\pm$ 20%	Without Baffle
3.	Output S.P.L.	82 $\pm$ 3dB	At 1m 1W 800, 1K, 1.2K, 1.5KHz Average
4.	Input Power	Rated Power: 1.0W	Max Power: 1.5W
5.	Frequency Range	F0--20KHz	Output S.P.L. -10dB
6.	Operation	Must Be Normal	Program Source: 1.0W
7.	Buzzes & Rattles	Must Be Normal	Sin Wave 4.0V
8.	Load Test	After Test Meet 2&7	1.0W 48hours White Noise
9.	Distortion	5% Max	1.0W 1000Hz
10.	Heat Test	After Test 7&8&9	+60°C $\pm$ 3°C 48hours
11.	Cold Test	After Test 7&8&9	-25°C $\pm$ 3°C 48hours
12.	Humidity	After Test 7&8&9	40°C $\pm$ 2°C 90~95% R.H. 12hours
13.	Insulation Resistance	1M $\Omega$	Dc100v FRA. And TER.
14.	Magnet	$\varnothing$ 12.5 $\times$ 1.5	N35
15.	Net Weight	9.5g/PC	
16.	Polarity	When a positive D.C voltage is applied to the terminal marked (+) or red, the diaphragm should move to the front.	



**POWER SOUND ELECTRONICS LTD.** - Acoustic Components Manufacturer

Tel: +86-755-8423 5076,8423 5093,8423 5316 Fax: +86-755-8423 5085 E-mail: [psound@szonline.net](mailto:psound@szonline.net)

<http://www.chnpowersound.com>