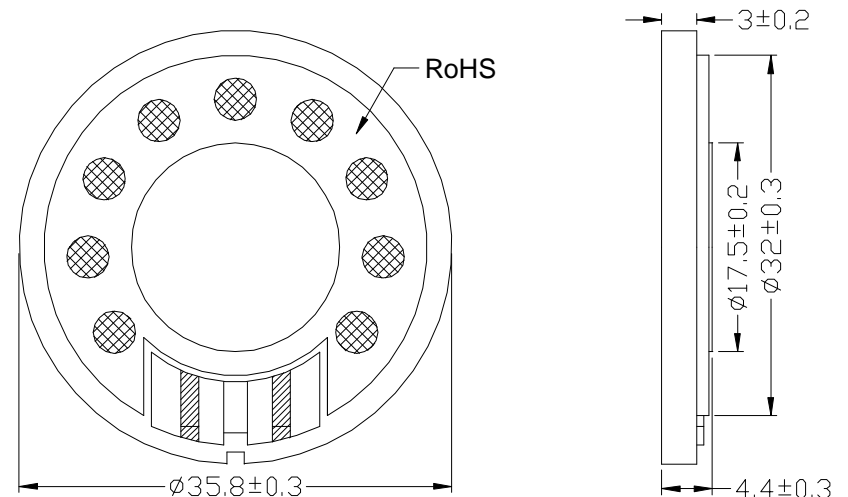
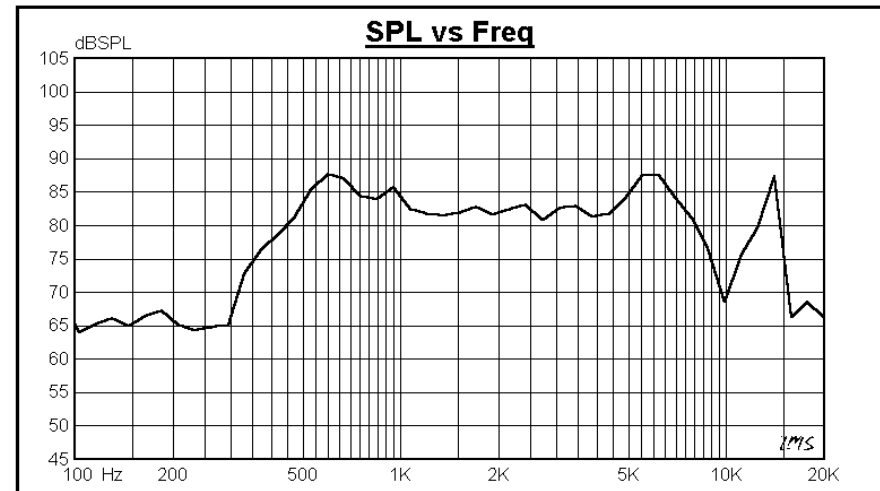


Mylar Speaker Specification

Our Part No		36P01N-60WE8-5C24+	
Size	Diameter 36mm	Total Height	4.4 mm
No.	Item	Specification	Testing Condition
1.	Rated Imp	8ohm \pm 15%	At 1 kHz 1.0V
2.	Resonance Freq	600Hz \pm 20%	Without Baffle
3.	Output S.P.L.	92 \pm 3dB	At 0.1m 0.1W 800, 1K, 1.2, 1.5KHz Average
4.	Input Power	Rated Power: 0.25W	Max Power: 0.5W
5.	Frequency Range	F0---9KHz	Output S.P.L. -10dB
6.	Operation	Must Be Normal	Program Source: 0.25W
7.	Buzzes & Rattles	Must Be Normal	Sin Wave 1.41V
8.	Load Test	After Test Meet 6&7	0.25W 96hours White Noise
9.	Distortion	5% Max	0.25W 1000Hz
10.	Heat Test	After Test 7&8&9	+60°C \pm 3°C 48hours
11.	Cold Test	After Test 7&8&9	-25°C \pm 3°C 48hours
12.	Humidity	After Test 7&8&9	40°C \pm 2°C 90~95% R.H. 48hours
13.	Insulation Resistance	1M Ω	Dc100v FRA. And TER.
14.	Magnet	\varnothing 12.5 \times 1.5	N35
15.	Net Weight	5.5g/PC	
16.	Polarity		



POWER SOUND ELECTRONICS LTD. - Acoustic Components Manufacturer

Tel: +86-755-8423 5076,8423 5093,8423 5316 Fax: +86-755-8423 5085 E-mail: psound@szonline.net

<http://www.chnpowersound.com>